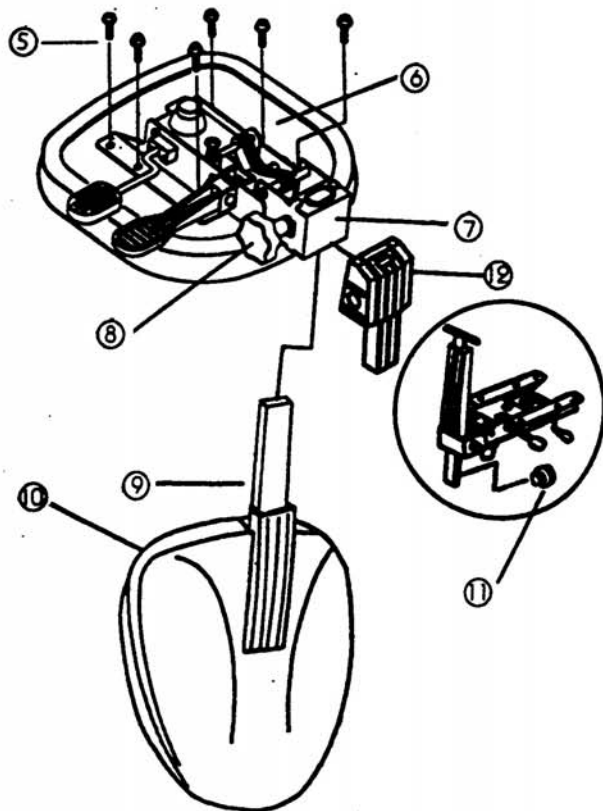




Assembly Instructions for Chair No. CH555

PARTS LIST

KEY	QTY	DESCRIPTION
1	5	CASTER
2	1	BASE
3	1	SEAT POST
4	1	TELESCOPIC COVER
5	6	MECHANISM SCREW
6	1	SEAT
7	1	MECHANISM
8	1	UP & DOWN KNOB
9	1	BACKREST POST + COVER
10	1	BACKREST
11	1	PLASTIC STOPPER
12	1	MECHANISM PLASTIC BELLOW

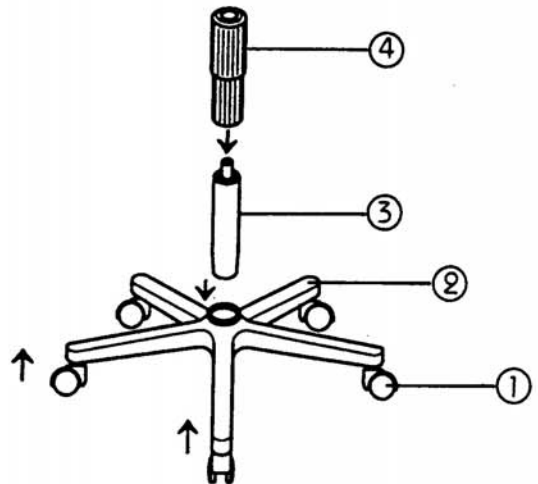


➔ PART NO.12 IS TORNED ON THE SIDE IN ORDER TO BE INSERTED ONTO REAR OF (7) MECHANISM.

STEP 2.

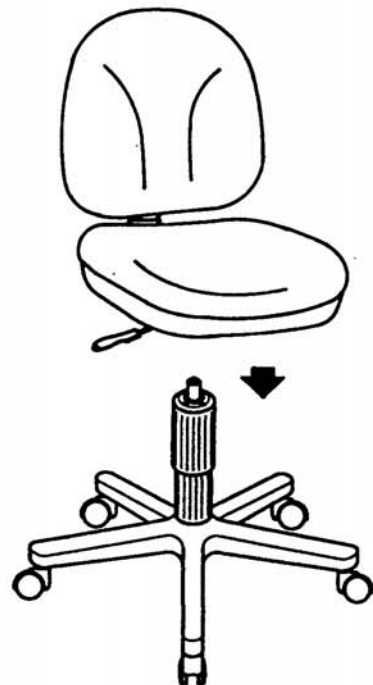
- Attach (7) mechanism to (6) seat with (5) mechanism screws. Insert (12) mechanism plastic bellow to rear part of (7) mechanism. Loosen (8) up & down knob. Insert assembled (9) backrest post and (10) backrest into (7) mechanism. Insert (11) plastic stopper on (9) backrest post as shown. Securely tighten (8) up & down knob when desired position is obtained.

GAS Lift Type



STEP 1.

- Insert (1) casters into (2) base. Insert (3) seat post into (2) base. Slide (4) plastic bellow over (3) seat post.



STEP 3.

- Place upper assembled portion of chair into (3) seat post.

Made in Taiwan

